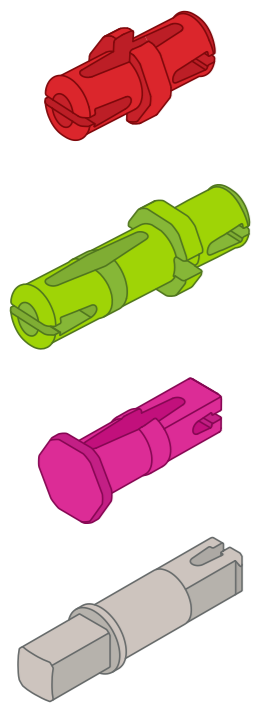


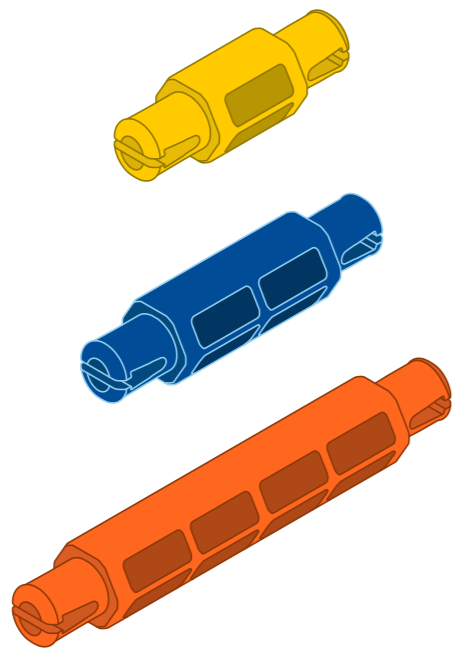
**Pins**

2x



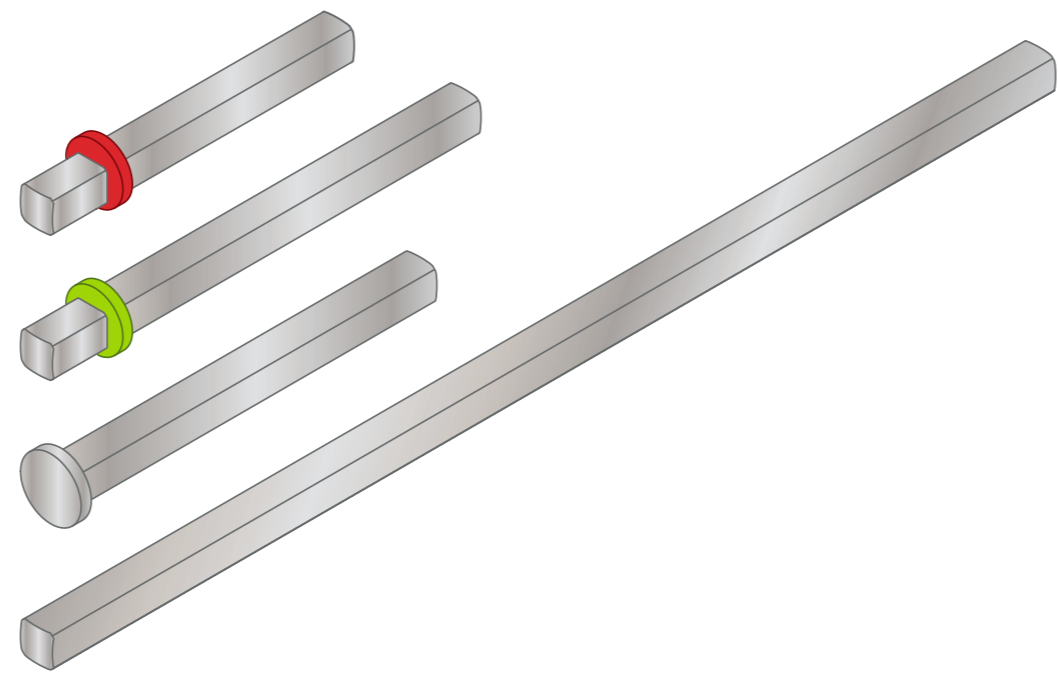
**Standoffs**

2x

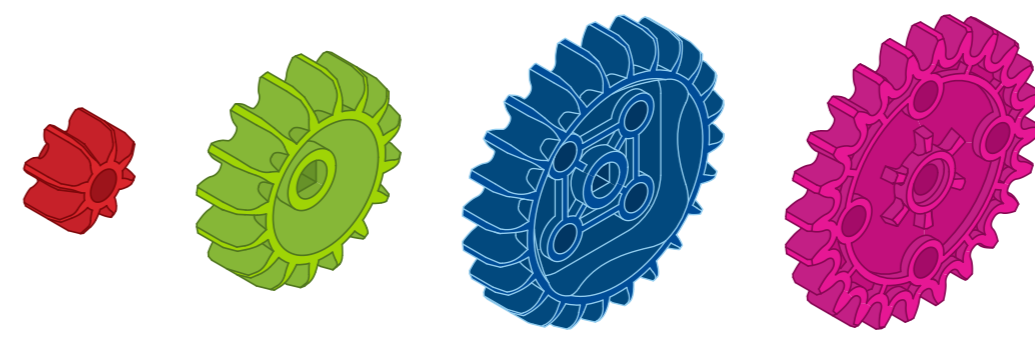


**Shafts**

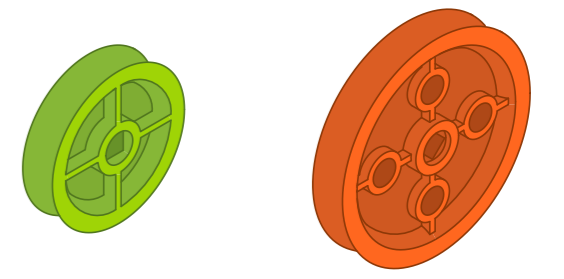
2x



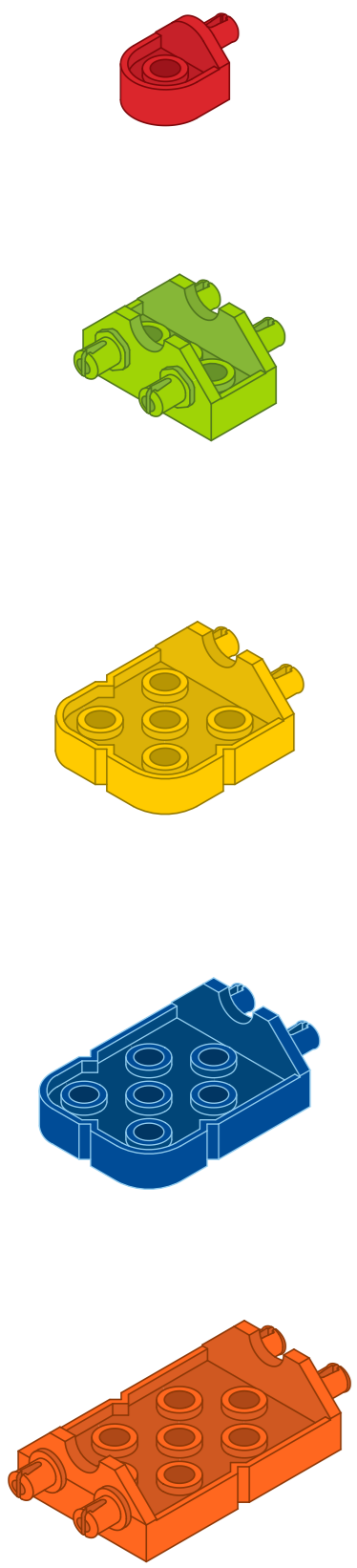
**Gears**



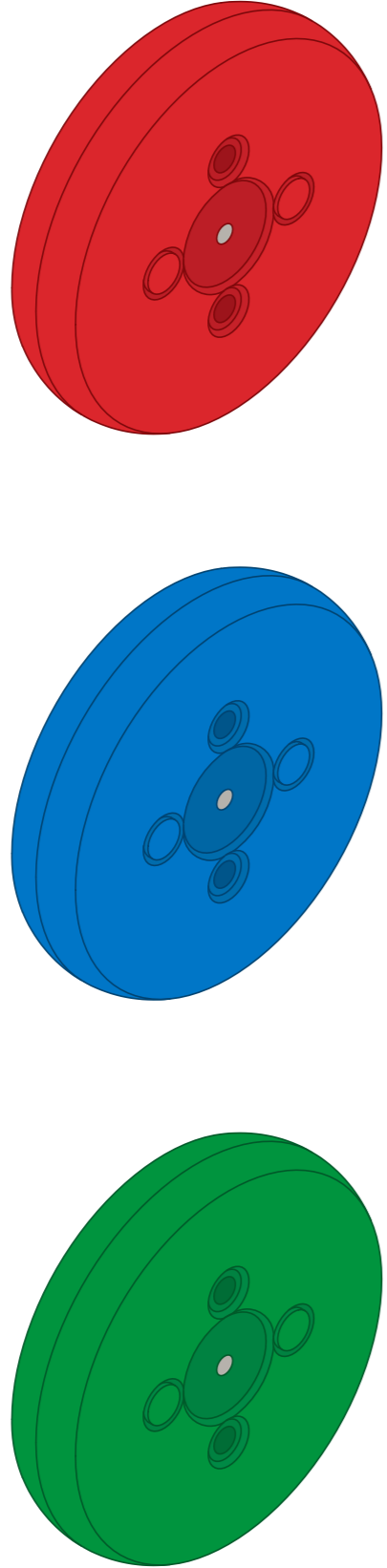
**Pulleys**



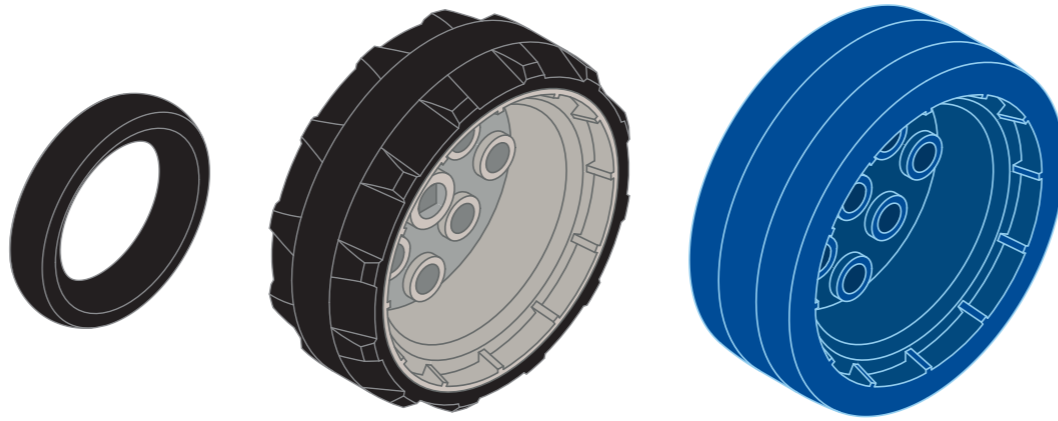
**Connectors**



**Disks**



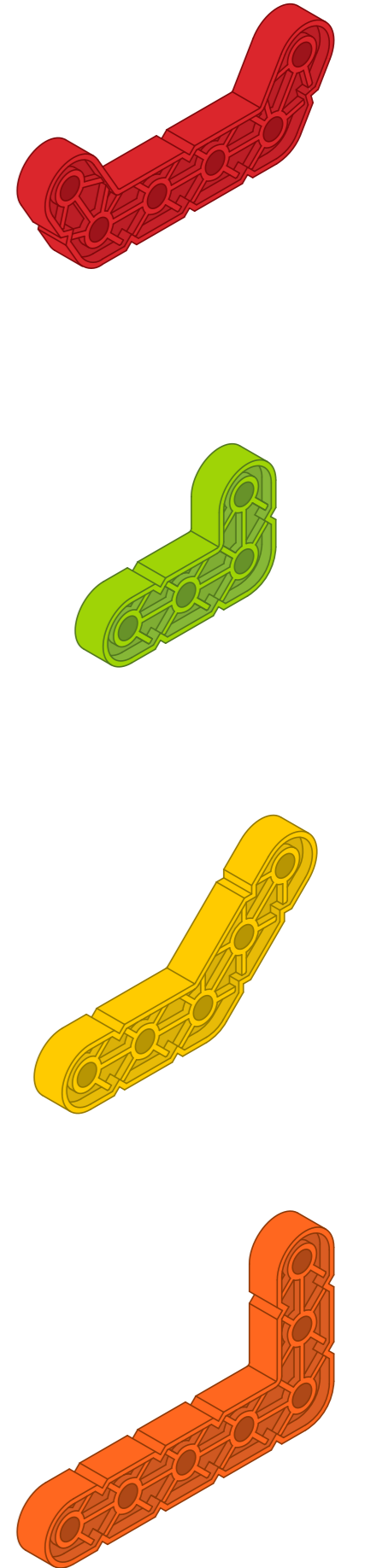
**Wheels**



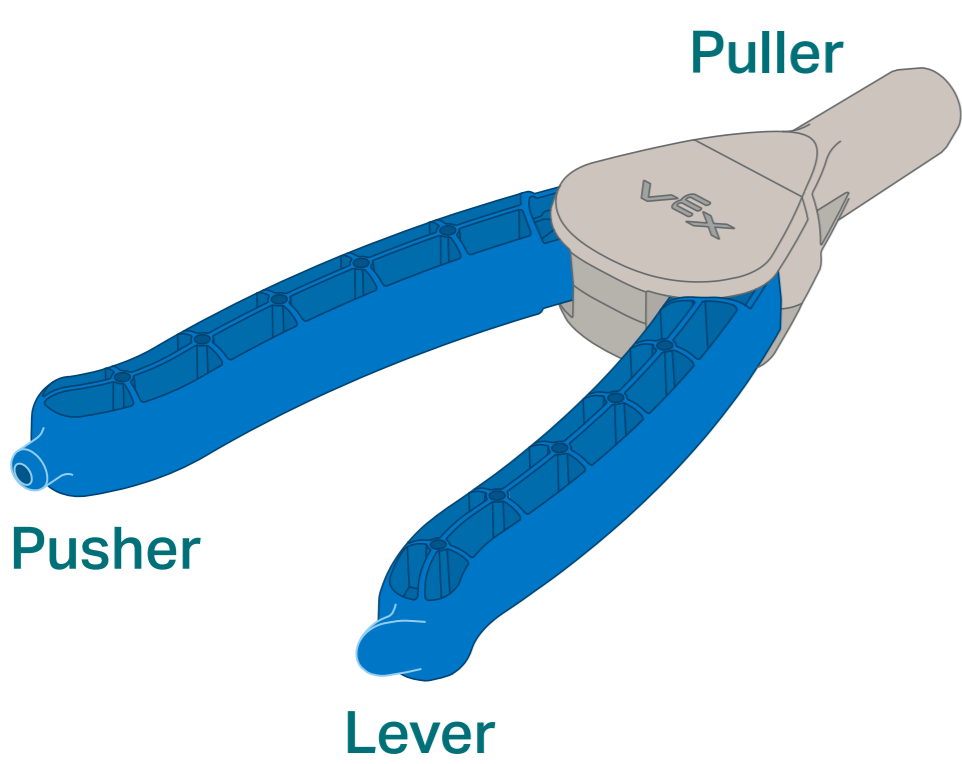
**Beams**



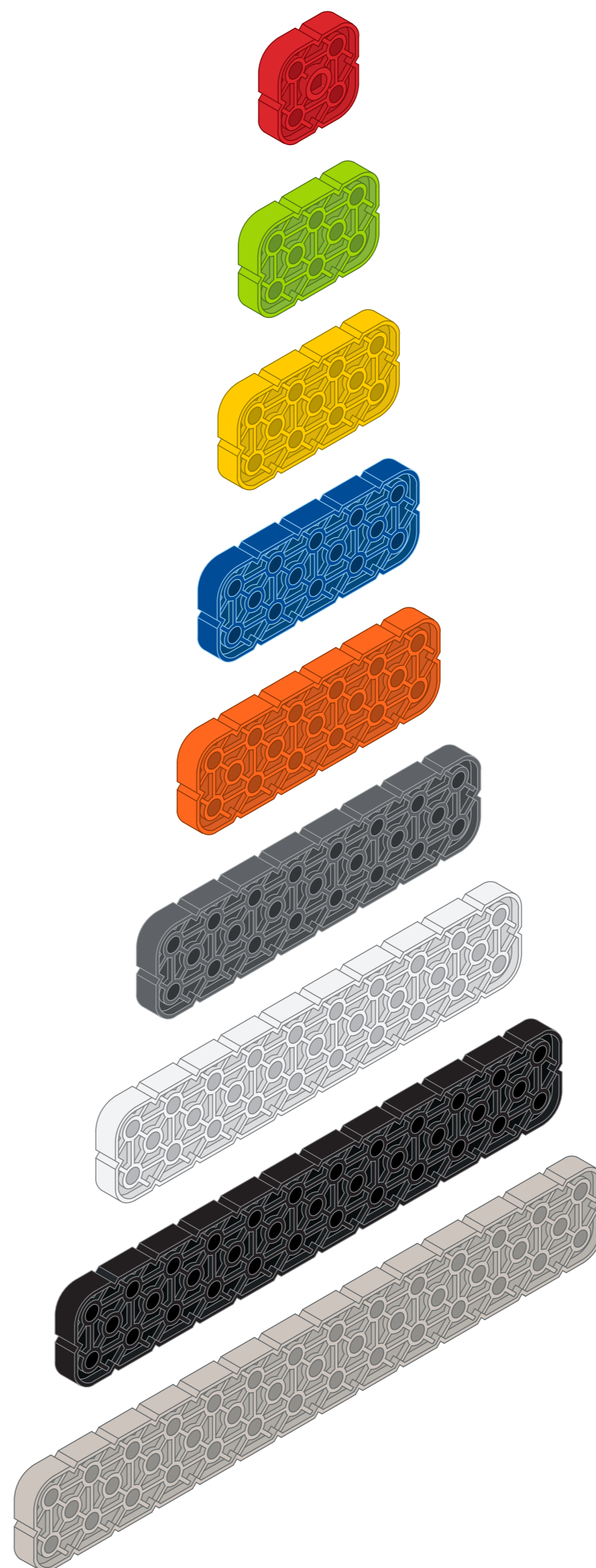
**Angle Beams**



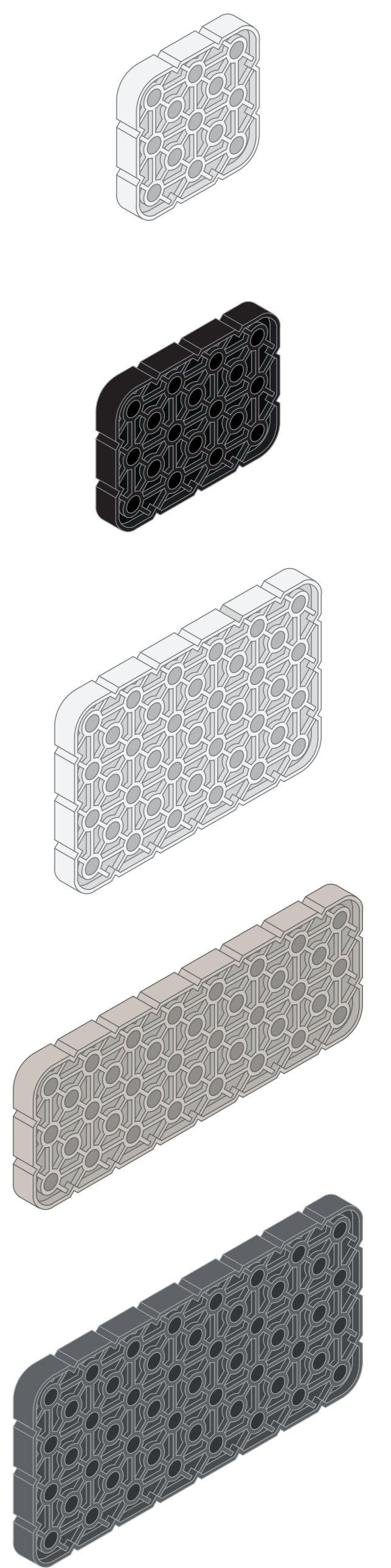
**Pin Tool**



**Large Beams**



**Plates**



**Electronics**

